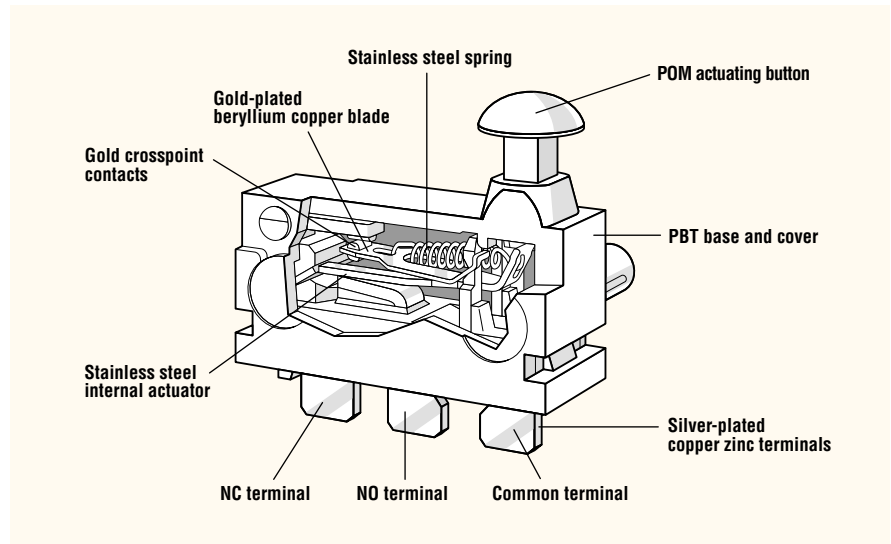


SUBMINIATURE DR Series

Features

- Switch with mushroom or pan-head actuator for a wide variety of control applications
- Protection against dust complying with IP40
- Models available for operating temperatures up to 105°C
- Rated for 5mA@12VDC or 2A@12VDC
- Auxiliary actuator on request
- High contact stability thanks to gold alloy crosspoint contacts
- Mechanical life: min. 1 x 10⁶ operations
- Various options available for connecting



Specifications

Electrical

Temperature Rating:	-40°C to +85°C
Flammability Rating:	N/A

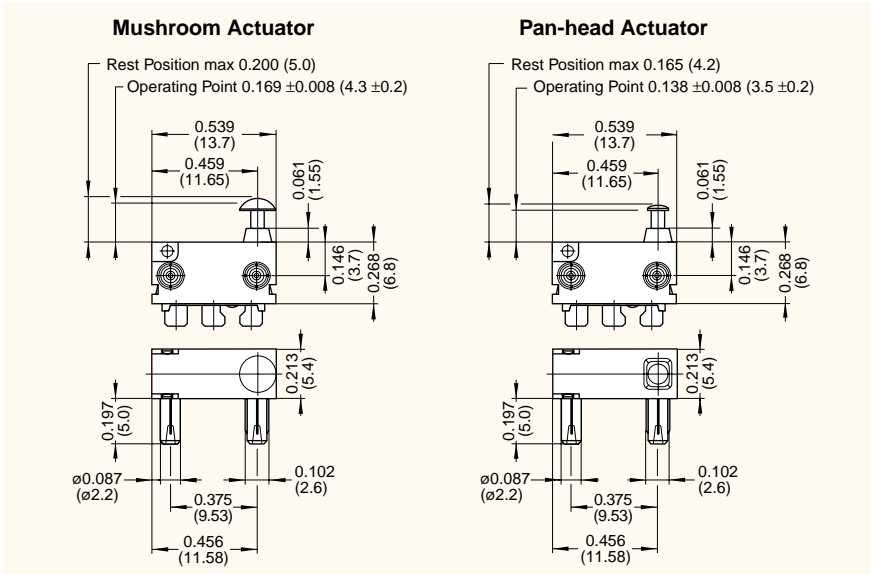
Materials

Housing:	PBT
Actuator:	POM (+85°C)
Auxiliary Actuator:	Stainless Steel
Internal Actuator:	Stainless Steel
Spring:	Stainless Steel
Terminals:	Silver-Plated Copper-Zinc
Contacts:	Gold Crosspoint
Moving Blade:	Gold-Plated Beryllium Copper

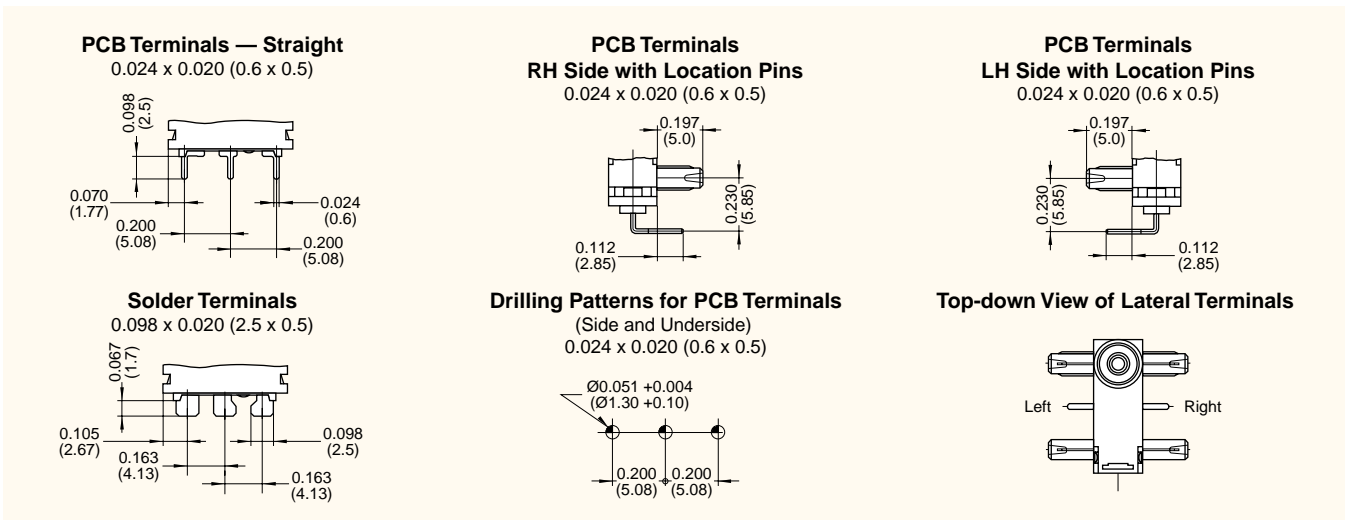
PBT = Polybutyleneterephthalate • POM = Polyacetal



Dimensions inches (mm)



Terminal Options inches (mm)



Ordering Information

DR	1	P	BR AO
Series/Prefix		Code Actuator Shape	Code Actuator Type
		P Mushroom	AO without Auxiliary Actuator
		R Pan-head	
Code Current Rating			Code Terminal Type inches (mm)
1 0.005A@12VDC or 2A@12VDC			AN 0.098 x 0.020 (2.5 x 0.5) Solder w/o Pins
			AL 0.098 x 0.020 (2.5 x 0.5) Solder with LH Pins
			AR 0.098 x 0.020 (2.5 x 0.5) Solder with RH Pins
			BN 0.024 x 0.020 (0.6 x 0.5) PCB, Straight w/o Pins
			BL 0.024 x 0.020 (0.6 x 0.5) PCB, Straight with LH Pins
			BR 0.024 x 0.020 (0.6 x 0.5) PCB, Straight with RH Pins
			CR 0.024 x 0.020 (0.6 x 0.5) PCB, RH Side with RH Pins
			DL 0.024 x 0.020 (0.6 x 0.5) PCB, LH Side with LH Pins