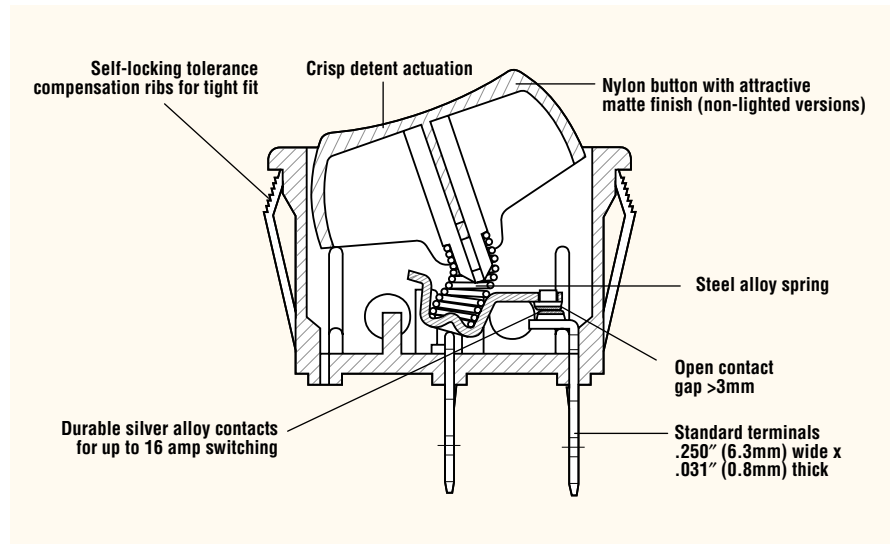


## THIN POWER ROCKER SWITCH

# TR Series

### Features

- 16A switching in 11mm wide package
- Lighted and non-lighted versions
- Available in a wide variety of colors
- Double-throw and three-position versions available
- Fits industry-standard cut-outs
- Mechanical life: min. 50,000 operations



### Electrical Ratings

Switch Series	EN61058 Rating	UL1054 Rating	Electrical Life at Rated Load	
			According to VDE (Min. Operations)	According to UL (Min. Operations)
TR	16(4)A, 250V~, T85 1E4	16A, 125/250VAC, 1/4HP@125V; 3/4HP@250V	10,000	6,000

### Specifications

#### Electrical

Dielectric Strength:	1000VAC for 1 minute
Insulation Resistance:	10 <sup>8</sup> ohms min at 500VDC
Initial Contact Resistance:	0.020 ohms max
Temperature Range:	-20°C to +85°C

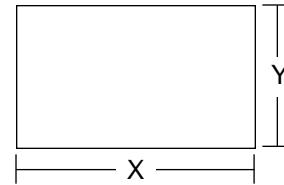
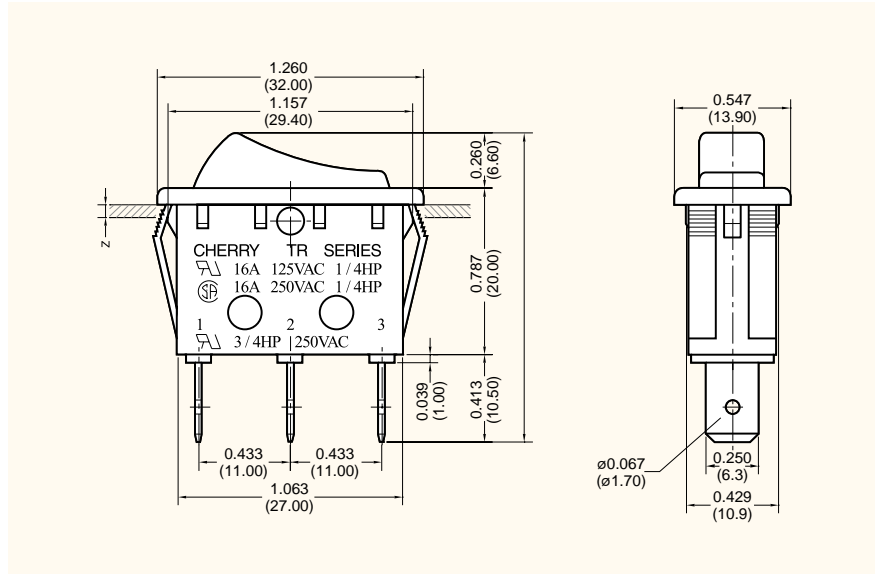
#### Materials

Actuator (non-lighted):	Nylon 66 94V-2
Actuator (lighted):	Polycarbonate
Case:	Nylon 66 94V-2
Spring:	Steel Wire
Contacts:	Silver Alloy
Movable Arm:	Silver-Plated Copper Alloy
Fixed Contact Terminals:	Tin-Plated Copper Alloy





## Dimensions inches (mm)



Z = Panel Thickness

## Recommended Panel Cut-Out Dimensions

inches (mm)

Dim. Z	Dim. X	Dim. Y
0.030 to 0.049 (0.75 to 1.25)	1.19 (30.23)	0.433 (11.00)
0.049 to 0.079 (1.25 to 2.00)	1.20 (30.48)	0.433 (11.00)
0.079 to 0.118 (2.00 to 3.00)	1.21 (30.73)	0.433 (11.00)

## Examples of Common Part Numbers and Descriptions inches (mm)

Part Number	Circuitry	Switch Function	Terminal Type	Actuator/ Housing Color	Legend Marking
TRG22F2FBBNN		On - Off	0.250 (6.3) Quick-Connect	Black/Black	
TRG23F2BBBNN		On - On	0.250 (6.3) Quick-Connect	Black/Black	
TRG22F2BBRLN		On - Off/Lighted	0.250 (6.3) Quick-Connect	Red/Black	

Boot #0015-0662

## Ordering Information

TR	G	2	2	F	2	F	B	B	N	N
<b>Series</b>	<b>Code</b>	<b>Circuitry</b>	<b>Code</b>	<b>Switch Function</b>	<b>Code</b>	<b>Actuator Type</b>	<b>Code</b>	<b>Housing Color</b>	<b>Code</b>	<b>Lighted</b>
G	2	Single-Pole	2	On - Off	2	Curve	E	Charcoal Grey	N	Non-Lighted
			3	On - On	5	Flat	Y	Grey	L	Lighted (Bulb 125VAC)
			4	On - Off - On			B	Black	E	Lighted (Bulb 250VAC)
			5	(On) - Off	<b>Code</b>	<b>Actuator Marking</b>	W	White	F	Lighted 5VDC Incandescent
			6	(On) - On	B	Blank	C	Brown	G	Lighted 6VDC Incandescent
			7	(On) - Off - (On)	C	LO HI			H	Lighted 12VDC Incandescent
			8	(On) - Off - On	D	OFF ON				
					E	O I	<b>Code</b>	<b>Actuator Color</b>	<b>Code</b>	<b>Splashproof</b>
					F	O -	Y	Grey	N	No Rocker Boot
					G	•	B	Black	G	Rocker Boot
					H	I O II	A	Amber		
							R	Red		
							W	White		
							C	Brown		
							E	Charcoal Grey		